

IP 1500



innovaphone IP DECT

With the IP 1500 system, DECT-based, cordless telephones can be integrated into the IP telephone system innovaphone PBX.

The heart of this solution is the gateway connecting both technologies. Radio bases and repeaters as well as the handsets IP 50, IP 52, and IP 54 are further components of this system.

innovaphone PBX

In use with various other innovaphone products the innovaphone PBX offers solutions for small offices or home offices up to giant scenarios with up to 20.000 end devices.



Installation of the Base Stations

To ensure that the handsets can operate in the entire office area, the radio base stations should be positioned to reach all those regions of the office which are to be included in the system (illumination). The base stations are connected with a two-wire line of up to 3 km cable length and do not require a separate power supply, which makes their installation extremely flexible. A repeater may be used to include even very remote regions. The repeater creates a radio connection with the central station and can then serve additional mobile terminals in its region.

Central User Administration

Administration for all subscribers is realized at the central innovaphone PBX, allowing for multiple registrations at IP- and DECT terminals simultaneously. Subscribers may thus be signed on both at an IP telephone and a DECT telephone, choosing the more conveniently accessible set for each call.



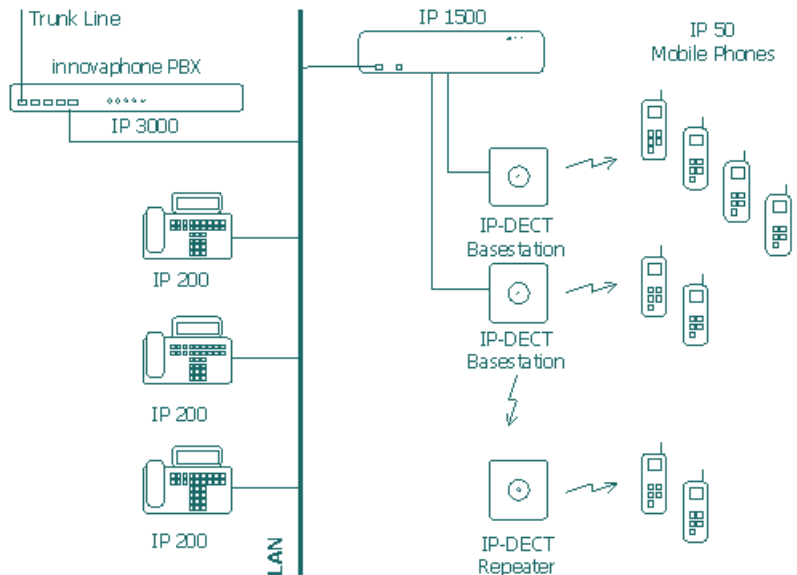
Roaming & Handover

Any handset can sign on to the gateway and thus to the innovaphone PBX from any base station or repeater. Even after signing on, the user is free to move around to the next base station, which will take over his signal without interrupting the connection.

For further information on the DECT system IP 1500, please consult the Technical Data sheet or visit our Website

Scalability

The IP 1500 is available with 10, 20 or 30 speech channels to the IP network. The smaller version may be extended easily and at any point by including further modules. Up to 8 base stations can be served on the DECT side. A special extension tool connects 8 more stations. Each base station is able to realize 4 calls at the same time, so that 64 connections are possible in the fully extended version, 30 of which may simultaneously be transferred to the IP network. In the case that these 30 channels or the connected handsets do not suffice, several IP 1500 may be connected. To guarantee the full operability of the roaming and handover functions for base stations of different IP1500 adapters, the IP 1500s are joined by a link set consisting of plug-in boards and connecting cables. The box is designed to fit a 19" cabinet system, requiring two shelf units.



Handsets IP 50, IP 52, and IP 54

Each handset includes a charging station and a power-supply plug. They offer all performance features of modern DECT handsets, including an internal address book, vibration signal, automatic redial, muting, and key lock. 15 hours of airtime and 150 hours of standby time guarantee relaxed phone calls. The IP 52 is a handset with a slightly reduced range of features. The IP 54 offers all added features plus a safe, splash-proof casing.

Copyright © 2004 innovaphone® AG

innovaphone® AG
Böblinger Straße 76
71065 Sindelfingen
Germany
Tel +49 7031 73009-0
Fax +49 7031 73009-99
e-mail: info@innovaphone.com

innovaphone
Pure IP Telephony