

# IP 800



## innovaphone VoIP Gateway

The VoIP gateway IP 800 is the latest, most modern gateway in the innovaphone product portfolio.

It serves as a link between traditional telephony and IP telephony, connecting them through up to 4 ISDN lines. Systems with an IP 800 serving as the basis for innovaphone's PBX can administer up to 200 extensions.

### *innovaphone PBX*

*The IP 800 can serve as a platform for innovaphone's PBX software. Up to 200 subscribers may be registered simultaneously at an innovaphone PBX based on the IP 800. Clearance for the innovaphone PBX is carried out by entering a license code in the web-based configuration interface. In use with various other innovaphone products the innovaphone PBX offers solutions for small offices or home offices up to giant scenarios with up to 20.000 end devices.*



### Connection Option

The gateway can be used with several different configurations. All 4 ISDN BRI interfaces may be switched to ISDN, thus providing 8 lines simultaneously. Two of these ISDN interfaces may be used for connections to the trunk lines of conventional telephone systems, or to cascade to redundant systems. The other two ISDN interfaces may then provide ISDN access to further devices. The IP 800's ISDN interfaces can be configured to hand on the ISDN connections even with the power supply shut down.

### Optimized for Security and Stability

To minimize the risk of failures, the IP 800 has been designed with an emphasis on stability and sturdiness. Not only its stainless-steel casing, but also the omission of movable parts such as ventilators or hard disks guarantee the gateway's extreme stability. Optimization for security did also include the software components. Thus, the operating system has been redeveloped particularly for this application. It has been stripped of all unused components which might cause malfunctioning. After a restart, e.g. for maintenance work, the system will be fully operable within just 3 seconds.



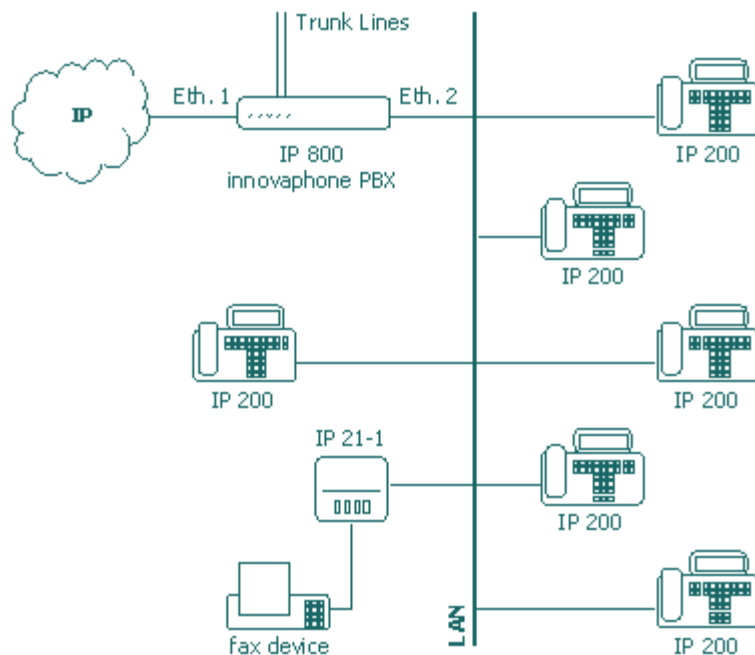
## Scalable in Both Directions

The IP 800 is scalable in both directions. Versions with one or two ISDN interfaces are available for small-scale solutions. These smaller versions may be extended easily and at any point by installing further licenses. In the case that the 8 channels provided by one box do not suffice, several IP 800s may be interconnected. The additional ISDN interfaces will then be administered centrally and used as if provided by just one device. Furthermore, the IP 800 offers the option to increase its internal memory by installing a „Compact Flash“ Type 1 memory card.

For further information on the IP 800 gateway, please consult the Technical Data sheet or visit our Website at [www.innovaphone.com](http://www.innovaphone.com).

## Two Ethernet Interfaces Guarantee Flexible Use

The IP 800 has two separate Ethernet interfaces. They can be individually addressed and may take over routing functions between two networks. For network switches with a redundant security design, the second Ethernet interface may also be used for the connection with the second switch. The second interface may also be used as console port. If the second port is provided with a fixed IP address, a PC used for administration can be connected directly to this port.



## Save On Your Telephone Bills With ENUM

A new protocol does now lower the telephone costs for the IP 800 even further. The ENUM protocol is able to check whether an IP telephone is registered for the desired number even before setting up the call. If an IP telephone is available for that number, the IP 800 automatically selects the more cost-effective connection via the Internet protocol.

Copyright © 2004 innovaphone® AG

innovaphone® AG  
Böblinger Straße 76  
71065 Sindelfingen  
Germany  
Tel +49 7031 73009-0  
Fax +49 7031 73009-99  
e-mail: [info@innovaphone.com](mailto:info@innovaphone.com)

**innovaphone**  
Pure IP Telephony